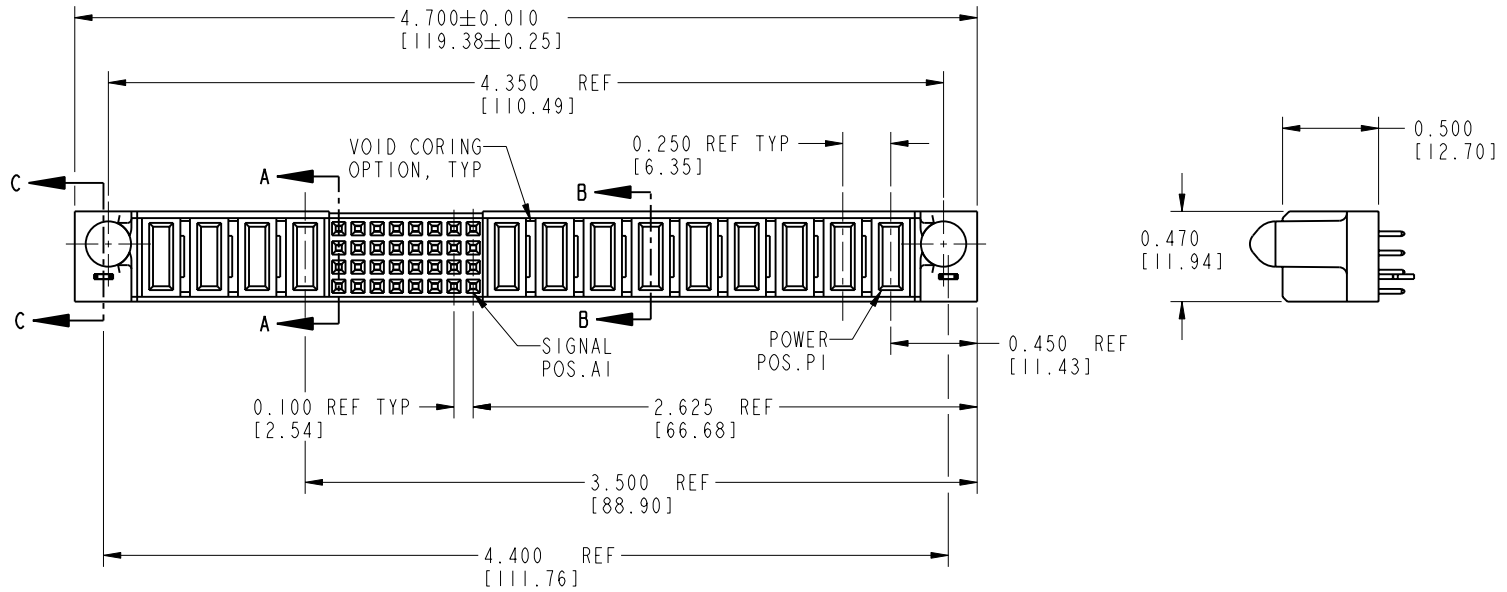


Tous droits strictement réservés. Reproduction ou communication o des liens interdite sous quelque forme que ce soit sans autorisation écrite du propriétaire. Propriété de c FCI. Droits de reproduction FCI.

All rights strictly reserved. Reproduction or issue to third parties in any form, whenever is not permitted without written authority from the proprietor. Property of FCI. Copyright FCI.



PRODUCT No.	ROWS	POWER				SIGNAL								POWER										
		F2	P13	P12	P11	P10	8	7	6	5	4	3	2	1	P9	P8	P7	P6	P5	P4	P3	P2	P1	F1
51633-001-- NOTE: 2	D C B A		PA	PA	PA	PA	E	E	E	E	E	E	E	E	PA	PA	PA	PA	PA	PA	X	PA	PA	



CODE	CONTACT TYPE
E	SIGNAL
PA	POWER
HA	HOLD-DOWN
X	OMITTED

mat'l code				NOTE 1		tolerances unless otherwise specified		CUSTOMER COPY		www.fciconnect.com	
ltr	ecn no.	dr	date	linear	.XX±.01/.X±.3	projection			title		
H	DG05-0375	GuoJM	10/07/05	angles	.XXX±.005/.XX±.13			9P + 32S + 4P			
				dr	.XXX±.0020/.XXX±.050	INCH / MM		VERTICAL SOLDER RECEPTACLE			
				engr	0°±2°	scale		product family		code	
				chr		1:1		PwrBlade		213	
				appd				size		SHEET	
								51633		1 OF 3	
sheet index	revision sheet	H	H	H				A			
		1	2	3							

form no. 7530-001-103

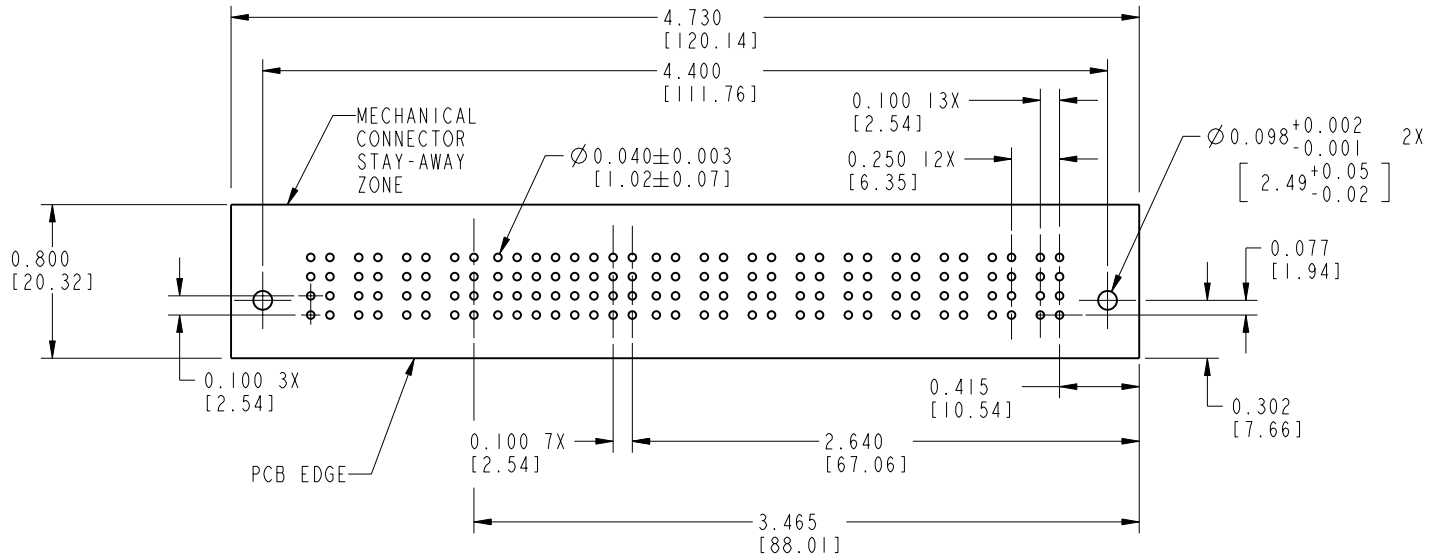
code code 22526

Tous droits strictement réservés. Reproduction ou communication o des liens interdite sous quelque forme que ce soit sans autorisation écrite du propriétaire. Propriete de c FCI. Droits de reproduction FCI.

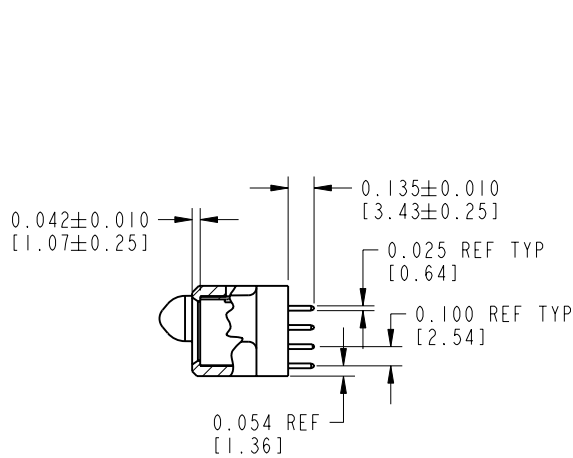
FCI

All rights strictly reserved. Reproduction or issue to third parties in any form, whomever is not permitted without written authority from the proprietor. Property of FCI. Copyright FCI.

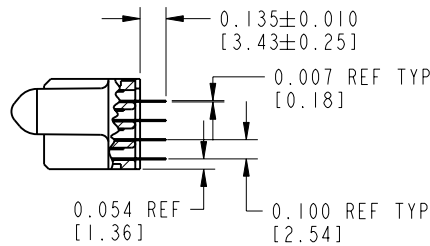
PRODUCT NUMBER
51633-001--
NOTE: 2



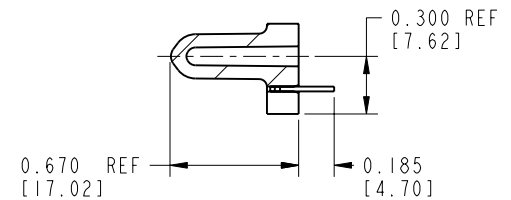
RECOMMENDED PCB LAYOUT



SECTION B-B



SECTION A-A



SECTION C-C

mat'l code				tolerances unless otherwise specified		CUSTOMER COPY		www.fciconnect.com	
lfr	ecr no.	dr	date	linear	.XX±.01/.X±.3	projection	title		
H					.XXX±.005/.XX±.13		9P + 32S + 4P		
				angles	.XXX±.0020/.XXX±.050		VERTICAL SOLDER RECEPTACLE		
				dr	C. BAROT 03/08/99	INCH / MM	product family	Pwr Blade	code
				engr	J. BROWN 03/08/99	scale	size	51633	213
				chr	J. BROWN 03/08/99	1:1	dwg no		SHEET
				appd	J. BROWN 03/08/99		A		2
sheet index	revision sheet								

Tous droits strictement réservés. Reproduction ou communication o des liers interdite sous quelque forme que ce soit sans autorisation écrite du propriétaire. Propriete de c FCI. Droits de reproduction FCI.

A
FCI

All rights strictly reserved. Reproduction or issue to third parties in any form, whenever is not permitted without written authority from the proprietor. Property of FCI. Copyright FCI.

PRODUCT NUMBER	1 2				3																																																																														
51633-001 -- NOTE: 2																																																																																			
<p>CONNECTOR NOTES:</p> <p>1. HOUSING MATERIAL: GLASS FILLED HIGH TEMP THERMOPLASTIC, UL94 V-0 SIGNAL CONTACT MATERIAL: COPPER ALLOY POWER CONTACT MATERIAL: COPPER ALLOY</p> <p>2. PLATING:</p> <p style="margin-left: 40px;">51633-001 Singal Pin: 30u"/0.76um Au OVER 50u"/1.27um Ni ON THE CONTACT AREA, AND 100u"/2.54um SnPb PLATING OVER 50u"/1.27um Ni ON THE TERMINATION SECTION. Power Pin: 30u"/0.76um Au OVER 50u"/1.27um Ni ON THE CONTACT AREA, AND 100u"/2.54um SnPb PLATING OVER 50u"/1.27um Ni ON THE TERMINATION SECTION.</p> <p style="margin-left: 40px;">51633-001LF Singal Pin: 30u"/0.76um Au OVER 50u"/1.27um Ni ON THE CONTACT AREA, AND 78u"/2.00um Sn PLATING OVER 50u"/1.27um Ni ON THE TERMINATION SECTION. Power Pin: 30u"/0.76um Au OVER 50u"/1.27um Ni ON THE CONTACT AREA, AND 78u"/2.00um Sn PLATING OVER 50u"/1.27um Ni ON THE TERMINATION SECTION.</p> <p style="margin-left: 40px;">PART NUMBER 51633-001LF MEETS EUROPEAN UNION DIRECTIVE AND OTHER COUNTRY REGULATIONS AS DESCRIBED IN GS-22-008.</p> <p style="margin-left: 40px;">THE HOUSING WILL WITHSTAND EXPOSURE TO 260° PEAK TEMPERATURE FOR 10 SECONDS IN A WAVE SOLDER APPLICATION WITH A CIRCUIT BOARD.</p> <p>3. MANUFACTURER NAME, P/N, AND DATE CODE TO APPEAR ON THIS SURFACE.</p> <p>PCB NOTES:</p> <p>4. ALL DIMENSIONS ARE BASIC UNLESS OTHERWISE SPECIFIED. 5. ALL THROUGH HOLES ARE LOCATED WITH A TRUE POSITION OF 0.004 [0.10] 6. ALL HOLE DIAMETERS ARE FINISHED HOLE SIZE 7. Ø0.098 [2.49] THROUGH HOLES ARE UNPLATED 8. Ø0.0453±0.0010 [1.151±0.025] DRILLED HOLES PLATED WITH 0.0003 [0.008] MIN SnPb OVER 0.001 [0.03] TO 0.003 [0.08] Cu PLATING TO ACHIEVE A Ø0.040±0.003 [1.02±0.07] HOLE.</p>																																																																																			
<table border="1" style="width: 100%; border-collapse: collapse;"> <tr> <td colspan="4">mat'l code</td> <td colspan="2">tolerances unless otherwise specified</td> <td>CUSTOMER</td> <td colspan="2" style="text-align: center;">A FCI www.fciconnect.com</td> </tr> <tr> <td>ltr</td> <td>ecn no.</td> <td>dr</td> <td>date</td> <td rowspan="2">linear</td> <td>.XX±.01/.X±.3</td> <td rowspan="2">projection</td> <td colspan="2" rowspan="2" style="text-align: center;"> </td> </tr> <tr> <td>H</td> <td></td> <td></td> <td></td> <td>.XXX±.005/.XX±.13</td> <td rowspan="2" style="text-align: center;"> </td> <td colspan="2" rowspan="2" style="text-align: center;"> title 9P + 32S + 4P VERTICAL SOLDER RECEPTACLE </td> </tr> <tr> <td></td> <td></td> <td></td> <td></td> <td>angles</td> <td>.XXX±.0020/.XXX±.050</td> <td rowspan="2" style="text-align: center;"> product family PWRBLADE code size dwg no 213 </td> <td colspan="2" rowspan="2" style="text-align: center;"> SHEET 3 </td> </tr> <tr> <td></td> <td></td> <td></td> <td></td> <td>dr</td> <td>0°±2°</td> <td rowspan="4" style="text-align: center;"> A 51633 </td> <td colspan="2" rowspan="4" style="text-align: center;"> 3 </td> </tr> <tr> <td></td> <td></td> <td></td> <td></td> <td>engr</td> <td>C. BAROT 03/08/99</td> <td rowspan="4" style="text-align: center;"> scale 1:1 </td> <td colspan="2" rowspan="4" style="text-align: center;"> 3 </td> </tr> <tr> <td></td> <td></td> <td></td> <td></td> <td>chr</td> <td>J. BROWN 03/08/99</td> <td colspan="2" rowspan="4" style="text-align: center;"> 3 </td> </tr> <tr> <td></td> <td></td> <td></td> <td></td> <td>appd</td> <td>J. BROWN 03/08/99</td> <td colspan="2" rowspan="4" style="text-align: center;"> 3 </td> </tr> <tr> <td>sheet index</td> <td>revision sheet</td> <td></td> <td></td> <td></td> <td></td> <td></td> <td></td> <td></td> </tr> </table>						mat'l code				tolerances unless otherwise specified		CUSTOMER	A FCI www.fciconnect.com		ltr	ecn no.	dr	date	linear	.XX±.01/.X±.3	projection			H				.XXX±.005/.XX±.13		title 9P + 32S + 4P VERTICAL SOLDER RECEPTACLE						angles	.XXX±.0020/.XXX±.050	product family PWRBLADE code size dwg no 213	SHEET 3						dr	0°±2°	A 51633	3						engr	C. BAROT 03/08/99	scale 1:1	3						chr	J. BROWN 03/08/99	3						appd	J. BROWN 03/08/99	3		sheet index	revision sheet							
mat'l code				tolerances unless otherwise specified		CUSTOMER	A FCI www.fciconnect.com																																																																												
ltr	ecn no.	dr	date	linear	.XX±.01/.X±.3	projection																																																																													
H					.XXX±.005/.XX±.13					title 9P + 32S + 4P VERTICAL SOLDER RECEPTACLE																																																																									
				angles	.XXX±.0020/.XXX±.050	product family PWRBLADE code size dwg no 213	SHEET 3																																																																												
				dr	0°±2°				A 51633	3																																																																									
				engr	C. BAROT 03/08/99	scale 1:1	3																																																																												
				chr	J. BROWN 03/08/99							3																																																																							
				appd	J. BROWN 03/08/99									3																																																																					
sheet index	revision sheet																																																																																		
<table border="1" style="width: 100%; border-collapse: collapse;"> <tr> <td colspan="4">form no. 7530-001-103</td> <td style="text-align: center;">1 2</td> <td style="width: 60%;"></td> <td style="text-align: center;">3 </td> <td style="text-align: center;">cage code 22526</td> <td style="text-align: center;">4</td> </tr> </table>						form no. 7530-001-103				1 2						3	cage code 22526	4																																																																	
form no. 7530-001-103				1 2		3	cage code 22526	4																																																																											